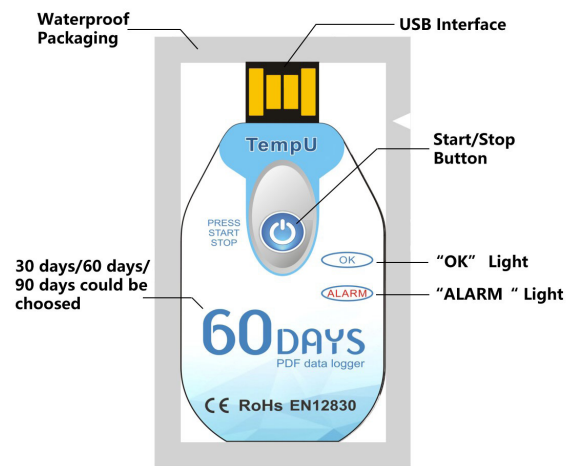


## Operating Instructions:

1. Press and hold the START/STOP button for approximately 3 seconds.  
The “OK” light will illuminate to indicate the recorder has been successfully started.
2. Place the data logger into the location to be monitored. Recording will begin 30 minutes after the device has been started.
3. If there has been no temperature excursion, the OK light will flash green every 10 seconds. If a temperature excursion has occurred (temperature lower than 2°C and/or greater than 8°C), the ALARM light will flash red every 10 seconds.
4. To stop recording, press and hold the Start/Stop button for 3 seconds. The ALARM light will illuminate to indicate it has been successfully stopped.
5. To generate a trip report, tear or cut away the plastic bag.  
Be careful not to damage the device when cutting away the bag.  
Insert the logger into a PC USB port. The OK and ALARM lights will alternately flash when the PDF report is being generated.
6. When the PDF report has been generated, the OK light will illuminate until the logger is removed from the USB port.



## To Determine Logger Status:

Status	Action	LED Indication
Logger Inactive	Short press of the START/STOP button once to determine if the logger is activated	ALARM and OK lights will flash once at the same time
Logger Stopped	Short press of the START/STOP button	OK light will flash – temperature within range ALARM light will flash – temperature out of range
	No button press	Neither ALARM nor OK lights will flash
Logger Active	N/A	OK light will flash every 10 seconds if the temperature has remained in range
		ALARM light will flash if temperature alarm has been experienced
START/STOP	LED Indication	Note
Press START / STOP button and hold approximately 3 seconds	OK light will illuminate	Data logger started
When logger is running, press the START/STOP button and hold approximately 3 seconds	ALARM light will illuminate	Data logger stopped

## NOTES:

1. Temperature alarms are preset for <2°C and >8°C
2. Make sure that the data logger has been started before placing it into the environment to be monitored.
3. Do not place the data logger directly into a corrosive liquid.
4. Do not microwave or expose to excessive heat.
5. Do not attempt to change or charge the battery.
6. Dispose of the logger in accordance with local laws and regulations.