

The ShockTrak Impact and Tracking recorder combines the powerful impact and environmental recording capabilities of the ShockLog 298 Impact Recorder with a satellite location/tracking module to deliver outstanding impact recording, real-time impact reporting and asset location around the globe.

## ACTIVATING THE SHOCKTRAK

*PLEASE NOTE: Activation of the satellite module can take up to 2 business days. Please plan accordingly.*

If this is your first connected device from SpotSee, an Administrator (Admin) Account must be established. The Admin will be responsible for user access for the account.

In order to begin the process, please go to [activate.spotsee.io](http://activate.spotsee.io) and complete the activation form.

### “Customer Number”

Enter the Customer Number found on the ShockTrak packing list, the Customer Invoice, or the Order Acknowledgement

### “Unit ID”

Enter the Unit ID from your ShockTrak found on the bottom of the device

### Click “Activate”

Type the ADMIN email address in the popup box and click Enter.

A message will be sent to the ADMIN’s email address from [no-reply@shockwatch.com](mailto:no-reply@shockwatch.com).

NOTE: If this email is not received within five (5) minutes, please check spam or junk folders. If the message cannot be located, please contact SpotSee [technicalsupport@spotsee.io](mailto:technicalsupport@spotsee.io).

The email will contain a link for creating your password.

Once the administrative account is established, navigate to [cloud.spotsee.io](http://cloud.spotsee.io) and log in with the Admin email and password.

The screenshot shows the SpotSee activation interface. At the top is the SpotSee logo with the tagline 'Global. Connected. Condition Monitoring.' Below the logo, it says 'Activate your SpotBot below'. The form contains two input fields: 'Customer Number' and 'Unit ID', each with a question mark icon to its right. Below these fields is a checkbox labeled 'I agree to the Terms & Conditions for this SpotBot Unit'. At the bottom of the form is a dark grey button with a white arrow icon and the text 'Activate'.

## PROGRAMMING THE SHOCKTRAK

The ShockLog recorder must be programmed prior to use. For complete details on programming the device, please refer to the ShockTrak User Manual. The manual can be located on the ShockLog software installation USB.

When programming the ShockLog 298 Impact Recorder, it is important to set a summary interval such that the memory and batteries will last for the anticipated journey time. Consult the table below for determining the best summary interval and for setting up appropriate battery replacement intervals.

| Summary Interval | ShockLog Memory Full* | ShockTrak Satellite Module Internal Battery Life | ShockTrak Satellite Module External Battery Life | Interface Board Battery | ShockLog Battery |
|------------------|-----------------------|--------------------------------------------------|--------------------------------------------------|-------------------------|------------------|
| 1 hour           | 42 days               | 3 months                                         | 60 days                                          | 12 months               | 12 months        |
| 2 hours          | 85 days               | 3 months                                         | 60 days                                          | 12 months               | 12 months        |
| 4 hours          | 5.5 months (170 days) | 6 months                                         | 75 days                                          | 12 months               | 12 months        |
| 8 hours          | 11 months (341 days)  | 12 months                                        | 90 days                                          | 12 months               | 12 months        |
| 12 hours         | 16 months (512 days)  | 18 months                                        | 90 days                                          | 12 months               | 12 months        |

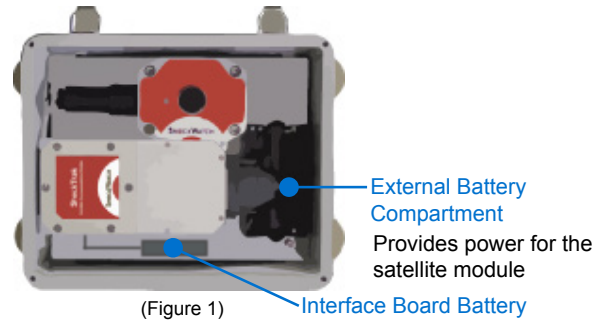
\*When the ShockLog memory is full, only alarms will be reported not summaries.

## POWERING THE SHOCKTRAK

All required lithium batteries for the ShockLog and ShockTrak Satellite module are installed at the factory unless otherwise arranged with SpotSee. (Figure 1)

**CAUTION - RISK OF EXPLOSION IF BATTERY IS REPLACED BY AN INCORRECT TYPE. DISPOSE OF USED BATTERIES ACCORDING TO THE INSTRUCTIONS.**

*Note: Operating the ShockTrak in a location without line of sight to the sky will significantly reduce the battery life of the satellite module.*

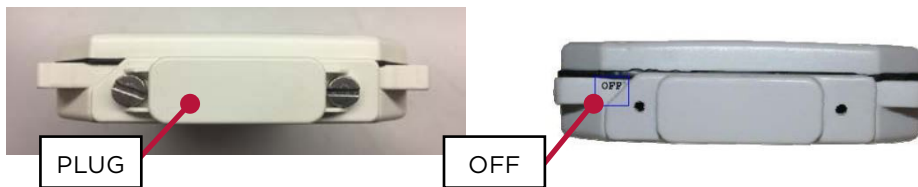


(Figure 1)

| Component                             | Battery Type              | Qty |
|---------------------------------------|---------------------------|-----|
| ShockLog                              | 3.6V AA Lithium Batteries | 2   |
| Interface Board Battery               | 3.6V AA Lithium Battery   | 1   |
| ShockTrak Satellite Module (Internal) | 1.5V AA Lithium Batteries | 4   |
| ShockTrak Satellite Module (External) | 3.6V C Lithium Batteries  | 4   |

## CONNECTING THE SHOCKTRAK SATELLITE MODULE AND SHOCKLOG RECORDER

The ShockTrak satellite module and the ShockLog must be connected prior to use. A plug on the satellite module covers the communication port between the module and the ShockLog.



Prior to use, the module will show “OFF” on the end of the module.

Unscrew the plug and remove.

Connect the black connector / cable to the communication port of the satellite module.

Keep the plug in a safe place as it will be used to turn the device off when not in use.

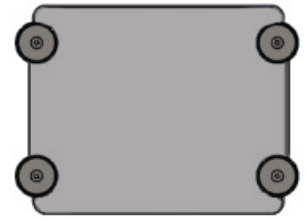
## SENDING A TEST MESSAGE (OPTIONAL)

- If you would like to send a test message to ensure that the unit has been set up correctly, start the ShockLog (See Starting the ShockLog)
- With line of site to the sky, drop the ShockTrak approximately 6 inches to generate an impact.
- Verify that the impact message was delivered to the SpotSee Cloud.

## MOUNTING THE SHOCKTRAK

It is recommended that you mount the unit prior to starting it. This prevents any impacts being recorded during the mounting process.

- **Find suitable mounting location on asset with line of sight to the sky.**
- The ShockTrak has x, y, and z axes noted on the unit. If the mounting of the ShockTrak does not allow you to match the axes of the unit, it is advisable to make note of the exact mounting in order to correctly analyze the reported impact values.
- To adhere, position two magnets in place and then carefully roll the last two magnets into position. (Figure 2)



(Figure 2)

*Note: Magnetic mounts are intended for temporary mounting.*

## STARTING THE SHOCKTRAK

It is recommended that the START iButton be used to start the ShockLog recorder. (Figure 3). The iButton can be stored in the ShockTrak case to allow the unit to be started once mounted.

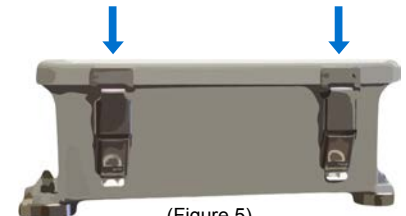


(Figure 3)

- Remove black center cap from ShockLog iButton port. (Figure 4)
- Insert START iButton into iButton port.
  - When iButton LED on ShockLog is red (Figure 4) and Slot Alarm LED is green (Figure 4), remove iButton.
  - Unit will start after one (1) minute
- Close lid and secure latches. (Figure 5)



(Figure 4)



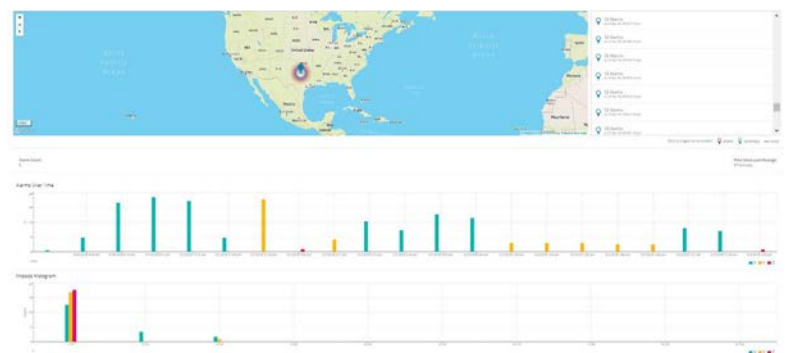
(Figure 5)

## ACCESSING THE CLOUD

Navigate to <https://cloud.spotsee.io> to view the impact and location information. On the Dashboard, select the asset of interest by clicking on the asset name.

A map showing the asset location as well as a list of impacts over time and an impact histogram will appear. When an over threshold event occurs during the journey, an alert will be sent through the web-hosted application and the ShockLog LED Event Alarm will flash red every five (5) seconds for an alarm condition and every ten (10) seconds for a warning condition.

For a complete description of the SpotSee Cloud, please refer to the ShockTrak User Manual.



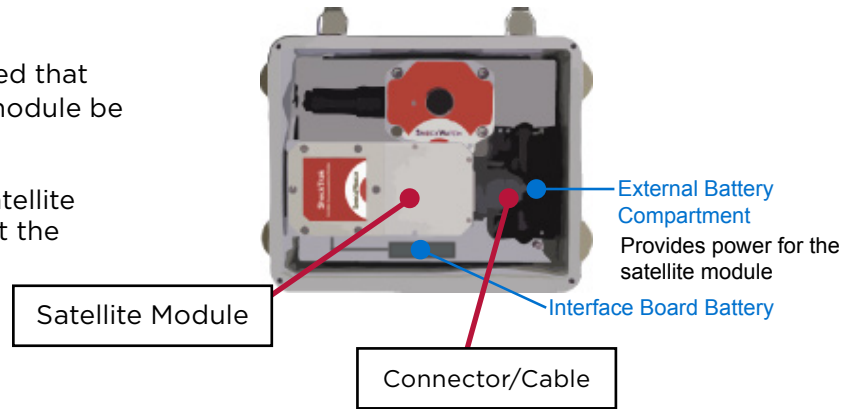
## DOWNLOADING THE FULL REPORT

It is possible to use the ShockLog 298 software to analyze any impact events that occur during the trip. To download and analyze the complete data file, please refer to the ShockTrak User Manual.

## RECOMMENDED STORAGE

When the unit is not in use, it is recommended that the ShockLog be stopped and the satellite module be turned off.

To turn the satellite module off, locate the satellite module in the ShockTrak box and disconnect the connector / cable.



Locate the plug and insert it into the connector such that the word OFF is visible. Note: If the word ON is visible, you will be powering the module and draining the battery.



## SAFETY WARNING



### MAGNETIC FIELDS PRESENT

The mounting plate described in these instructions has a magnetic field. Do not locate near pacemakers or other equipment that is sensitive to magnets.

### PINCH HAZARD

Mounting ShockTrak may cause injury to hands. Exercise caution to avoid pinching hands and fingers when installing the mounting unit.

## FOR QUESTIONS OR TROUBLE SHOOTING PLEASE CONTACT TECHNICAL SUPPORT

**Email:** [solutions@shockwatch.com.au](mailto:solutions@shockwatch.com.au)

**Phone:** +61 2 9586 1933