



Simple quality assurance for blood temperature during transportation and storage.

Ease of use: Blood Temp requires no preconditioning or special handling prior to use. Shelf stable, store at room temperature, simple push button activation.

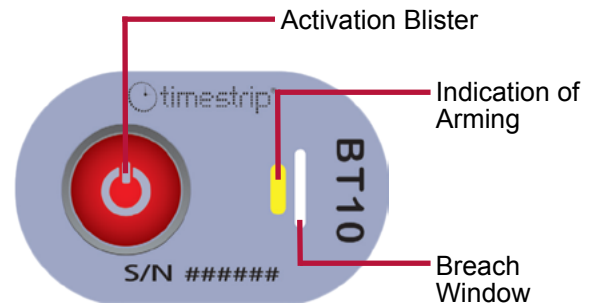
Quality assurance: Accurately monitors Blood Bag temperature in storage and transit within the Hospital. Alarm status is irreversible.

Compliance: Blood Temp meets all FDA and AABB requirements: FDA CFR 600. 1 5 (a) for monitoring blood temperature.

FDA 510(k) #BK150289.

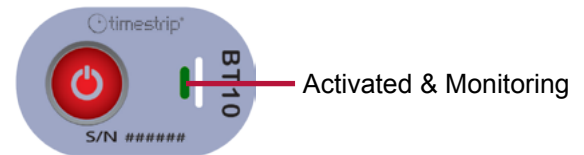
Application is easy as 1-2-3

<p>1 Push the Button</p>  <p>Firmly squeeze the activation button until you feel a pop, then release.</p>	<p>2 Verify Activation</p>  <p>Arming window will change from yellow to dark green immediately. Dark green means activated. If not, go back to step 1 and repeat.</p>	<p>3 Apply to Blood Bag</p>  <p>Remove adhesive liner and adhere activated indicator to the lower third of the blood bag.</p>
---	---	---

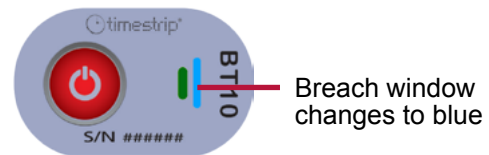


At-a-glance temperature monitoring

Upon activation, Blood Temp 10 instantly monitors blood temperature.



Blood Temp 10 clearly indicates when temperature breaches 10°C. Color change is irreversible and cannot be reset or changed.



Key Specifications	
Monitored Temperature	10°C / 50°F
Temperature Accuracy	± 0.5°C ± 1°F
Storage Conditions	Store in a cool, dark place. Recommended 22°C / 72°F at 20-80% RH
Shelf Life	2 year from date of manufacture
Size	1.25in x 0.75in 32mm x 19mm