



Simple quality assurance for blood temperature during transportation and storage.

Ease of use: Blood Temp requires no preconditioning or special handling prior to use. Shelf stable, store at room temperature, simple push button activation.

Available temperatures: Blood Temp is available in 6°C and 10°C

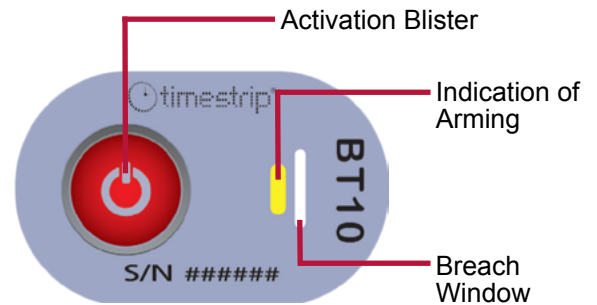
Quality assurance: Accurately monitors Blood Bag temperature in storage and transit within the Hospital. Alarm status is irreversible.

Compliance: Blood Temp 10 meets all FDA and AABB requirements: FDA CFR 600. 1 5 (a) for monitoring blood temperature. FDA 510(k) #BK150289.

Benefits: Improves compliance as it promotes accountability during transport.

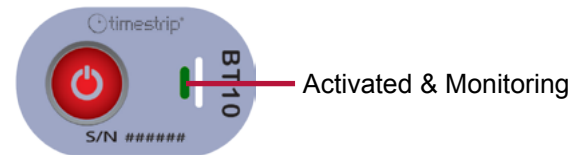
Application is easy as 1-2-3

<p>1 Push the Button</p>  <p>Firmly squeeze the activation button until you feel a pop, then release.</p>	<p>2 Verify Activation</p>  <p>Arming window will change from yellow to dark green immediately. Dark green means activated. If not, go back to step 1 and repeat.</p>	<p>3 Apply to Blood Bag</p>  <p>Remove adhesive liner and adhere activated indicator to the lower third of the blood bag.</p>
---	---	---

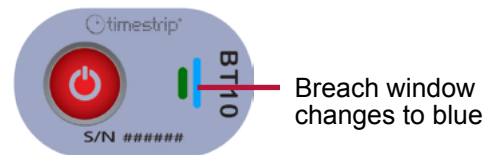


At-a-glance temperature monitoring

Upon activation, Blood Temp instantly monitors blood temperature.



Blood Temp clearly indicates when the temperature has been breached. Color change is irreversible and cannot be reset or changed.



Key Specifications	
Monitored Temperature	10°C / 50°F and 6°C / 43°F
Temperature Accuracy	± 0.5°C ± 1°F
Storage Conditions	Store in a cool, dark place. Recommended 22°C / 72°F at 20-80% RH
Shelf Life	2 year from date of manufacture
Size	1.25in x 0.75in 32mm x 19mm